

Angular Contact Ball Bearings

Bearing No. : **NACHI 7214CDT**

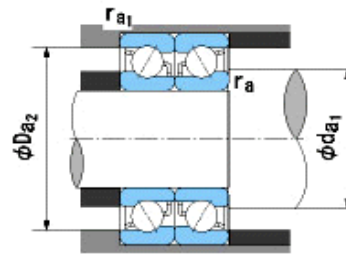
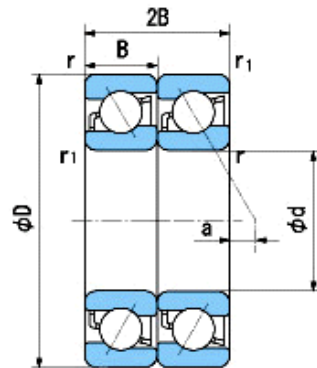
■ Bearing Type

■ Clearance

■ Tolerance Class

Dimensions

d = 70 ⁰_{-0.015}
 D = 125 ⁰_{-0.018}
 B = 24 ⁰_{0.000}
 r = 1.5~2.3
 (Radial Direction)
 r = 1.5~4
 (Axial Direction)
 r1 = 1~1.9
 (Radial Direction)
 r1 = 1~3
 (Axial Direction)
 a = -0.7



Dimensions

da1(min) = 79
 da2(min) = 79
 Da1(max) = 116
 Da2(max) = 119.6
 ra(max) = 1.5
 ra1(max) = 1
 Mass = 2.24 kg

Basic Dynamic Load Rating Cr : **130,000** N
 Basic Static Load Rating Cor : **130,000** N
 Limiting Speed ;
 Grease Lubrication : **6,600** min⁻¹
 Oil Lubrication : **8,800** min⁻¹

	INNER RING	OUTER RING
O.D.Surface Runout with Side :		-
Axial Runout with Bore :	-	-
Axial Runout with Raceway :	-	-
Width Variation :	0.025	0.025
Radial Runout :	0.020	0.040